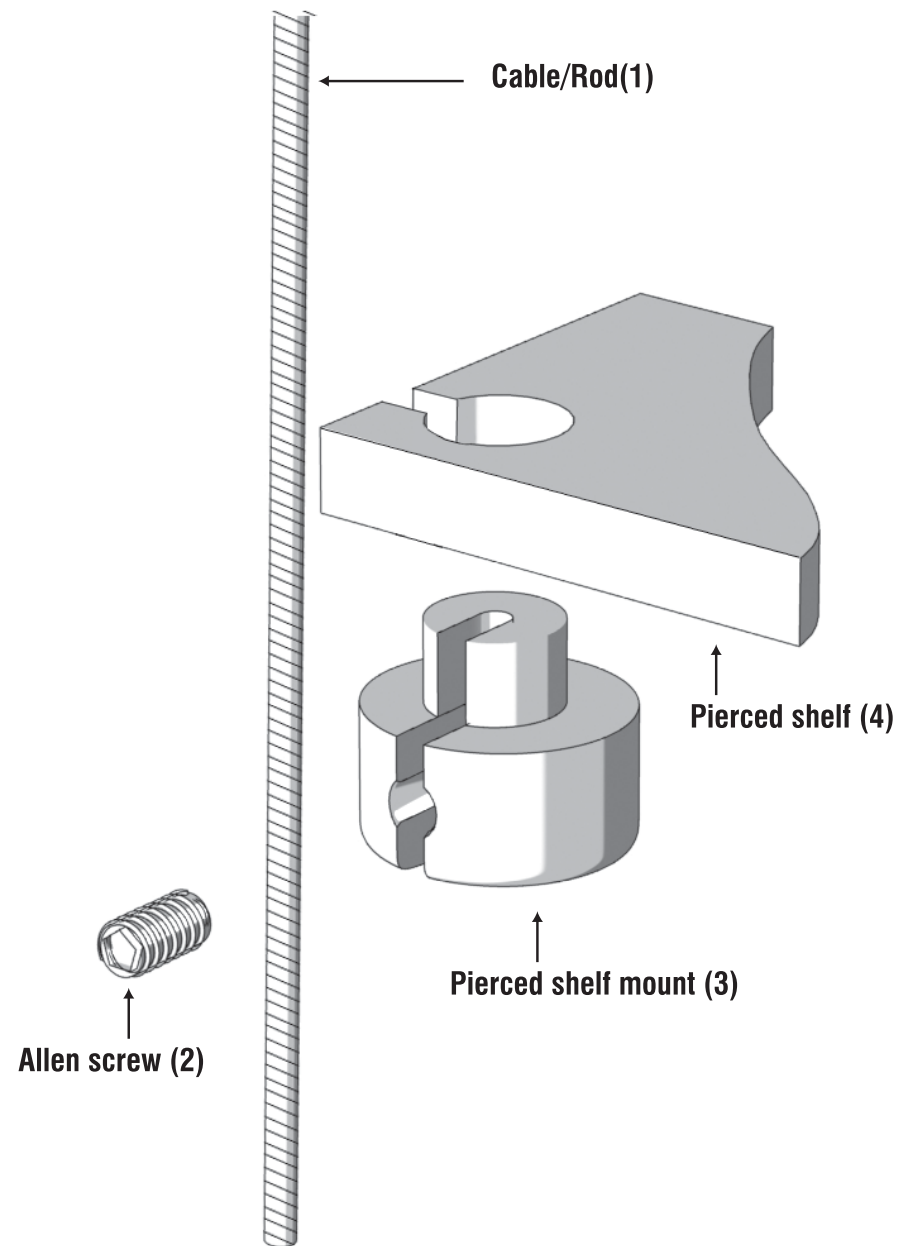


## > PIERCED SHELF



## ASSEMBLY INSTRUCTIONS

### PIERCED SHELF

- 1) Have a hole pierced in the **Shelf (4)** leaving a space for the **Cable/Rod (1)** to pass through when positioning the **Pierced Shelf (4)** on the Pierced Shelf Mount (3)
- 2) Position the **Pierced Shelf Mount (3)** at the desired height on the **Cable/Rod (1)** and tighten the **Allen Screw (2)** to secure the **Pierced Shelf Mount (3)**
- 3) Position the **Pierced Shelf (4)** on the **Pierced Shelf Mount (3)**