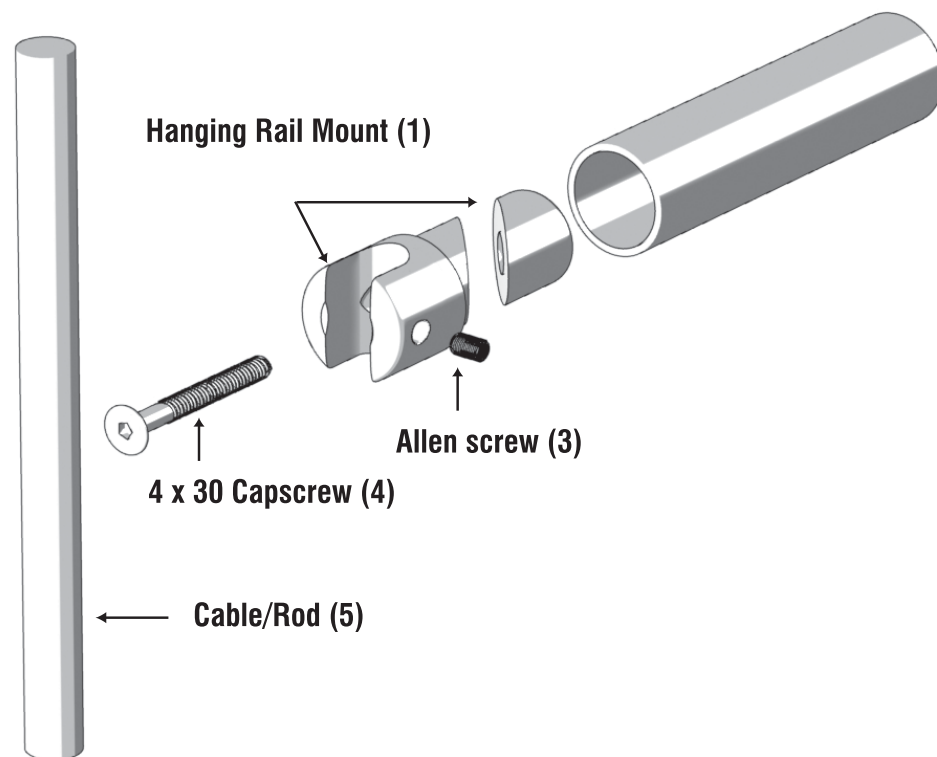


## > HANGING RAIL

C1404 and C1410



The tube may be cut to any desired length

## ASSEMBLY INSTRUCTIONS

### HANGING RAIL

- 1) Insert **Hanging Rail Mount (1)** into **Hanging Rail (2)**
- 2) Insert the **4 x 30 Capscrew (4)** and tighten to ensure that the **Hanging Rail Mount (1)** is held firmly within the **Hanging Rail (2)**
- 3) Position the **Hanging Rail Mount (1)** at the desired height and attach to **Cable/Rod (5)** by means of the **Allen Screw (3)**